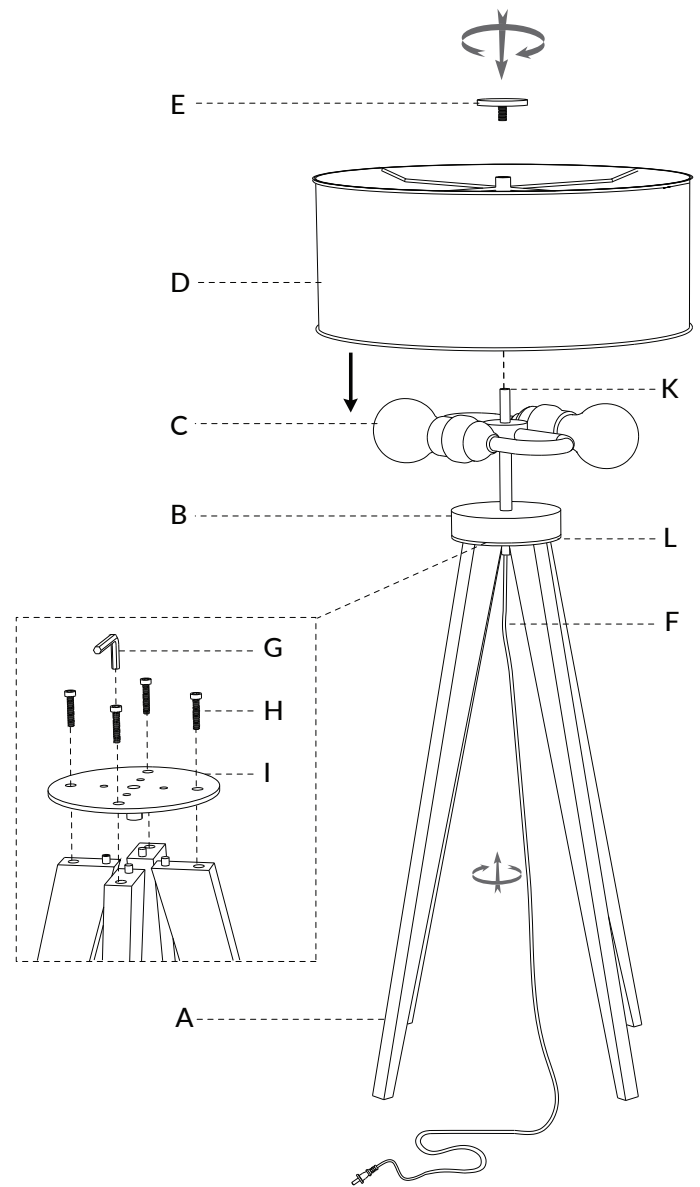


ASSEMBLY INSTRUCTIONS

QUATTRO TABLE LAMP

10859

1. Carefully remove all parts from the box and lay on a clean flat surface.
2. Attach legs (A) to lamp joining plate (B) using screws (H) and covering with joining plate cap (L).
3. Repeat step 3 for remaining legs (A).
4. Stand the now assembled lamp on a flat surface.
5. Screw the light bulbs (C) x 2 into the S-socket assembly, bulbs not included (recommended: E26, A16, 23W LED, 2700K, 90+CRI).
6. Attach shade (D) to socket assembly protrusion (K) and secure with finial (E).
7. Plug into a 110V outlet.
8. Enjoy the beautiful light!



IMPORTANT SAFETY INSTRUCTIONS

This lamp has a polarized plug (one blade is wider than the other) as a safety feature to reduce the risk of electric shock. This plug will fit in a polarized outlet only one way. If the plug does not fit fully in the outlet, reverse the plug. If it still does not fit, contact a qualified electrician. Never use with an extension cord unless the plug can be fully inserted. Do not alter the plug.

IMPORTANTES INSTRUCCIONES DE SEGURIDAD

Esta lampara tiene un enchufe polarizado (una navaja es mas ancha que la otra) como forma de seguridad para reducir el riesgo de un shock electrico. Este enchufe polarizado entrara en una conexión solo de un lado. Si el enchufe no entra en la conexión trate al reverso. Si aun asi no entra, contacte a un electricista calificado. Nunca use una extension a menos que el enchufe pueda ser conectado completamente. No altere el enchufe.

 NOVA OF CALIFORNIA

WWW.NOVAOFCALIFORNIA.COM